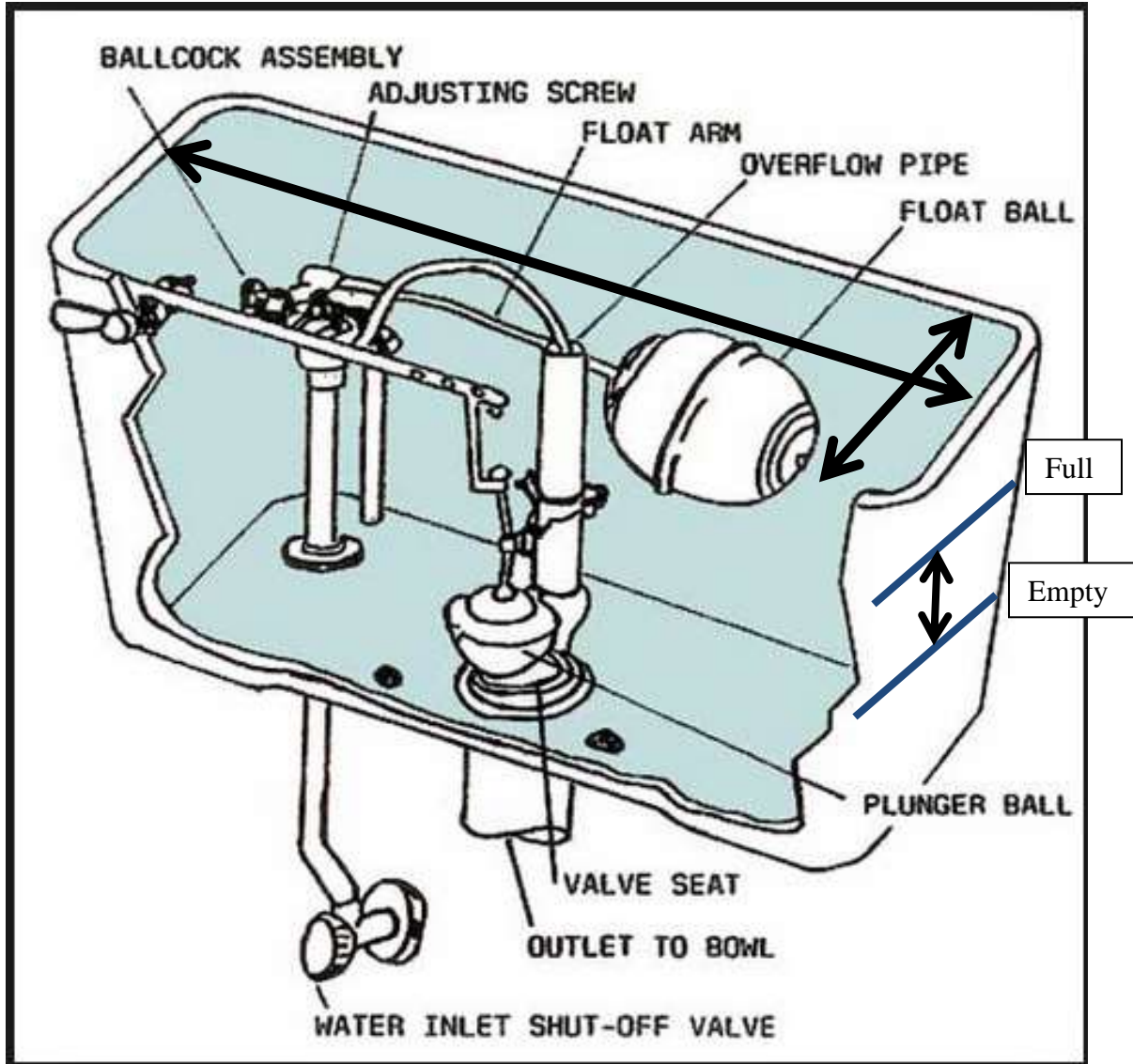


# How To Measure Your Toilet

Many toilets flush much more water than they are designed to. Does yours?



Gallons Per Flush (GPF) = (Length x Width x Height)/231  
Height = Full – Empty  
Measurements are in standard inches.